



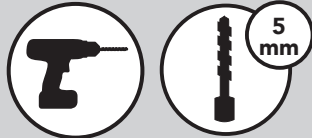
12400 Earl Jones Way  
Louisville, KY 40299  
rev-a-shelf.com  
Customer Service: 800-626-1126



## INSTALLATION INSTRUCTIONS

### CLOSET SHOE RAIL

#### TOOLS REQUIRED:

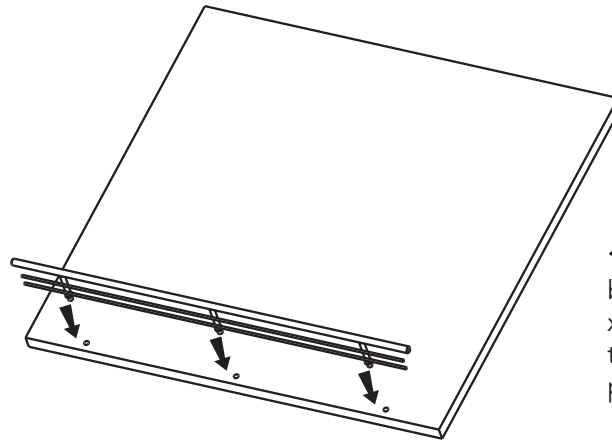


#### ESTIMATED ASSEMBLY TIME:

**5 MIN**

#### CARE AND MAINTENANCE:

Clean with a damp cloth and wipe parts dry.



**1.** The shelf requires (3) holes to be drilled. Hole diameter is 5mm" x 1/2" deep. Use the shoe rail as a template to mark exact hole placement.

**2.** Insert Wire Shoe Rail into shelf.

I-CSR-0417



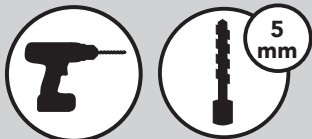
12400 Earl Jones Way  
Louisville, KY 40299  
rev-a-shelf.com  
Customer Service: 800-626-1126



## INSTALLATION INSTRUCTIONS

### CLOSET SHOE RAIL

#### TOOLS REQUIRED:

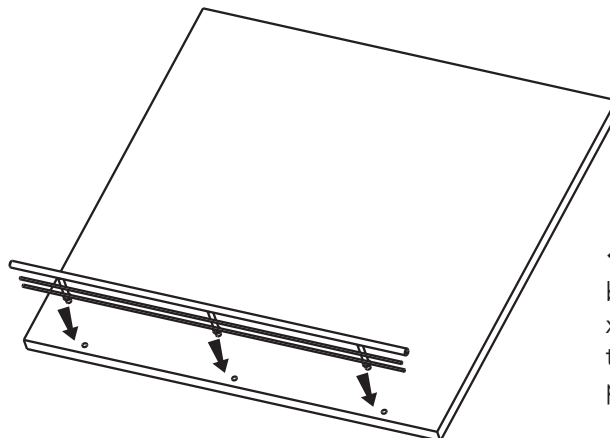


#### ESTIMATED ASSEMBLY TIME:

**5 MIN**

#### CARE AND MAINTENANCE:

Clean with a damp cloth and wipe parts dry.



**1.** The shelf requires (3) holes to be drilled. Hole diameter is 5mm" x 1/2" deep. Use the shoe rail as a template to mark exact hole placement.

**2.** Insert Wire Shoe Rail into shelf.

I-CSR-0417